

A-6030 30 HP 60,000 psi INTENSIFIER PUMP

INTELLIGENT
POWER FOR EVERY PURPOSE

Economically designed
Best in class reliability
Large pump **functionality**

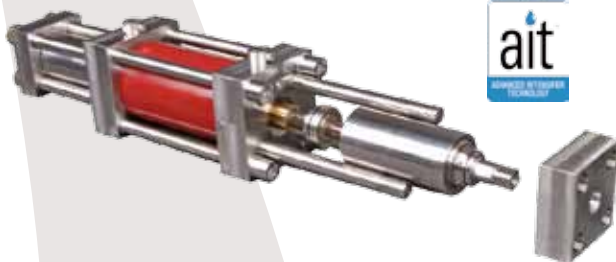
Ideally suited for

Light abrasive cutting
Multiple-head pure water cutting



1 | **ADVANCED INTENSIFIER TECHNOLOGY™ (AIT)**

AIT is AccuStream's exclusive technology and an integral part of the A and AS series of pumps. Our unparalleled user-oriented innovations facilitate longer maintenance intervals and rapid component replacement.



2 | **LOWEST COST of OPERATION**

The A-6030 boasts the industry's most reliable and cost efficient waterjet pump available today. With longer run times, slower stroke rates, available air over oil cooling system, and cost effective replacement parts, the A-6030 is the choice for those conscious of the bottom line.

3 | **SUPERIOR CUT QUALITY**

Our large volume attenuator, optimal stroke utilization and advanced hydraulic circuitry create smooth ultra-high pressure water to the cutting head for superior edge quality.

5 | **BUILT to LAST**

AccuStream brings decades of experience, rigorous research, and ongoing product development to everything we do. The combination of intelligent design and quality manufacturing add up to a pump that delivers maximum longevity and reliability.



A Series INTENSIFIER PUMPS
POWER FOR EVERY PURPOSE
by AccuStream



INTELLIGENT

A-6030 30 HP 60,000 psi INTENSIFIER PUMP



Pump Highlights

- Variable volume piston pump
- Kidney loop oil cooling and filtration
- TEFC motor
- Safety bleed down valve
- Inlet water: 1 & .45 micron filtration
- Electronic monitoring
- Easy to read front mounted gauges
- 1 liter attenuator
- Remote control connectivity

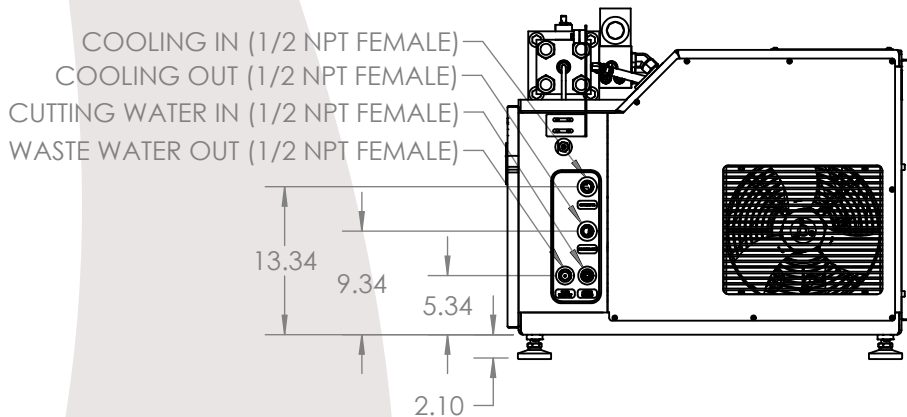
Specifications

		50 Hz	60 Hz
GENERAL	Max. Output Flow, gpm (lpm)	0.60 (2.3)	0.60 (2.3)
	Max. Orifice, in (mm)	0.011 (0.28)	0.011 (0.28)
	Continuous Output Pressure	All Adjustable to 60,000 psi (4137 bar)	
	Intensifier Configuration	Single	
	Pressure Control	Dual Manual	
	Bleed Down Valve	Air	

		50 Hz	60 Hz
PUMP POWER	Motor Power, hp (kw)	30 (22)	
	Voltage, V	400	208-230/460/575
	Full Load Amps, A	44	83-75/38/30
	Main Breaker, A	50	100/50/40
	Soft Start	N/A	

		50 Hz	60 Hz
PHYSICAL	Overall Width, in (mm)	36.8 (935)	
	Overall Length, in (mm)	54.8 (1392)	
	Overall Height, in (mm)	31.5 (800)	
	Approx. Operating Weight, lb (kg)	1100 (500)	

		50 Hz	60 Hz
OPTIONS	Integrated air over oil cooling		
	Chiller for Oil Cooling		
	Electronic Proportional Control		



Orifice Combinations

This pump will support the following orifice sizes (sizes are in inches and mm)

		FREQUENCY (Hz)	
		50 Hz	60 Hz
ORIFICE SIZE	1 Orifice (in/mm)	.011/.28	.011/.28
	2 Orifices (in/mm)	.007/.18	.007/.18
	3 Orifices (in/mm)	.006/.15	.006/.15
	4 Orifices (in/mm)	.005/.13	.005/.13
	5 Orifices (in/mm)	.004/.10	.004/.10
	6 Orifices (in/mm)	.004/.10	.004/.10