

# MATRIX-50

## 50 HP 60,000 psi INTENSIFIER PUMP

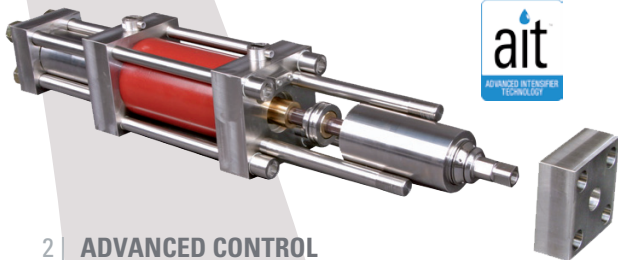
### AFFORDABILITY WITHOUT COMPROMISE.

Ideally suited for  
**Budget minded manufacturers.**



#### 1 | ADVANCED INTENSIFIER TECHNOLOGY™ (AIT)

AIT is what makes an AccuStream intensifier pump outperform all other intensifier pumps. When developing AIT, AccuStream identified the optimal relationship between plunger stroke length and diaphragm size. This exclusive to AccuStream ratio produces the most power possible while causing the least amount stress on the machine. AIT also provides rapid component replacement and industry leading maintenance intervals.



#### 2 | ADVANCED CONTROL

The intelligently designed Matrix-5 includes a fully programmable logic controller and LCD screen providing clear, concise and predictable operation. This control set-up provides advanced functional capability in a value-line water jet.



#### 3 | SUPERIOR CUT QUALITY

A large volume attenuator, optimal stroke utilization and advanced hydraulic circuitry create smooth, ultra-high pressure water to the cutting head for superior edge quality. Pressure compensated hydraulic pumps and exclusive electronic shift technology have set the standard for performance and reliability.

#### 4 | LOWEST COST of OPERATION

The Matrix-50 features AccuStream parts which are known to deliver the most work hours and lowest prices in the water jet market. This means more up-time, less servicing, greatly reduced operation costs and noticeably increased profits. The Matrix-50 is a perfect solution for high volume and low margin water jet shops.

#### 5 | BUILT to LAST

You can expect a lot from the Matrix-50, not the least of which is reliability. In designing the Matrix-50 we've brought together decades of experience, rigorous research and ongoing product development to create the best-performing value-based water jet in the market. The addition of intelligent design with quality manufacturing ensures the Matrix-50 delivers maximum longevity.

INTENSIFIER PUMPS

# MATRIX 50

**POWER FOR EVERY BUDGET**

by AccuStream



AFFORDABLE

# MATRIX-50 50 HP 60,000 psi INTENSIFIER PUMP



## Pump Highlights

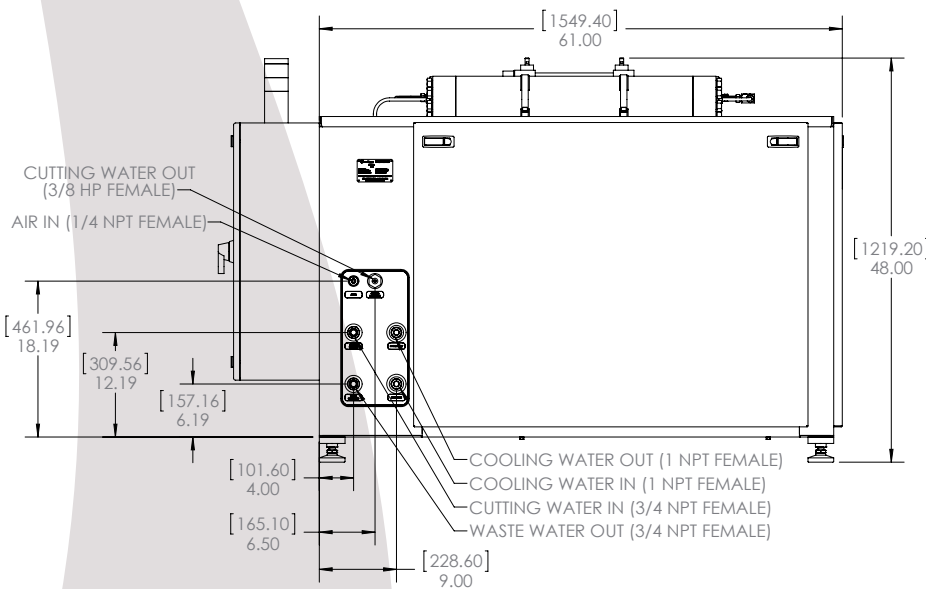
- AIT Technology
- Kidney loop oil cooling and filtration
- TEFC motor
- Safety bleed down valve
- Inlet water filtration (1 & .45 micron)
- Easy to read front mounted gauges
- 1 liter attenuator
- Remote control connectivity

## Specifications

		50 Hz	60 Hz
GENERAL	Max. Output Flow, gpm (lpm)	1.0 (3.8)	1.0 (3.8)
	Max. Orifice, in (mm)	0.014 (0.35)	
	Continuous Output Pressure	All Adjustable to 60,000 psi (4137 bar)	
	Intensifier Configuration	Single	
	Pressure Control	Dual Manual	
	Bleed Down Valve	Air	

PUMP POWER	Motor Power, hp (kw)	50 (37)	
	Voltage, V	400	208-230/460/575
	Full Load Amps, A	73	137-124/63/50
	Main Breaker, A	80	175/80/60
	Soft Start	WYE-Delta	

PHYSICAL	Overall Width, in (mm)	34 (864)	
	Overall Length, in (mm)	70 (1778)	
	Overall Height, in (mm)	46 (1168)	
	Approx. Operating Weight, lb (kg)	2900 (1315)	



OPTIONS	Air over oil cooling
	Chiller for Oil Cooling
	External boost pump w/ water accumulator

## Orifice Combinations

This pump will support the following orifice sizes (sizes are in inches and mm)

		FREQUENCY (Hz)	
		50 Hz	60 Hz
ORIFICE SIZE	1 Orifice (in/mm)	.014/.35	.014/.35
	2 Orifices (in/mm)	.010/.25	.010/.25
	3 Orifices (in/mm)	.008/.20	.008/.20
	4 Orifices (in/mm)	.007/.18	.007/.18
	5 Orifices (in/mm)	.006/.15	.006/.15
	6 Orifices (in/mm)	.005/.13	.005/.13